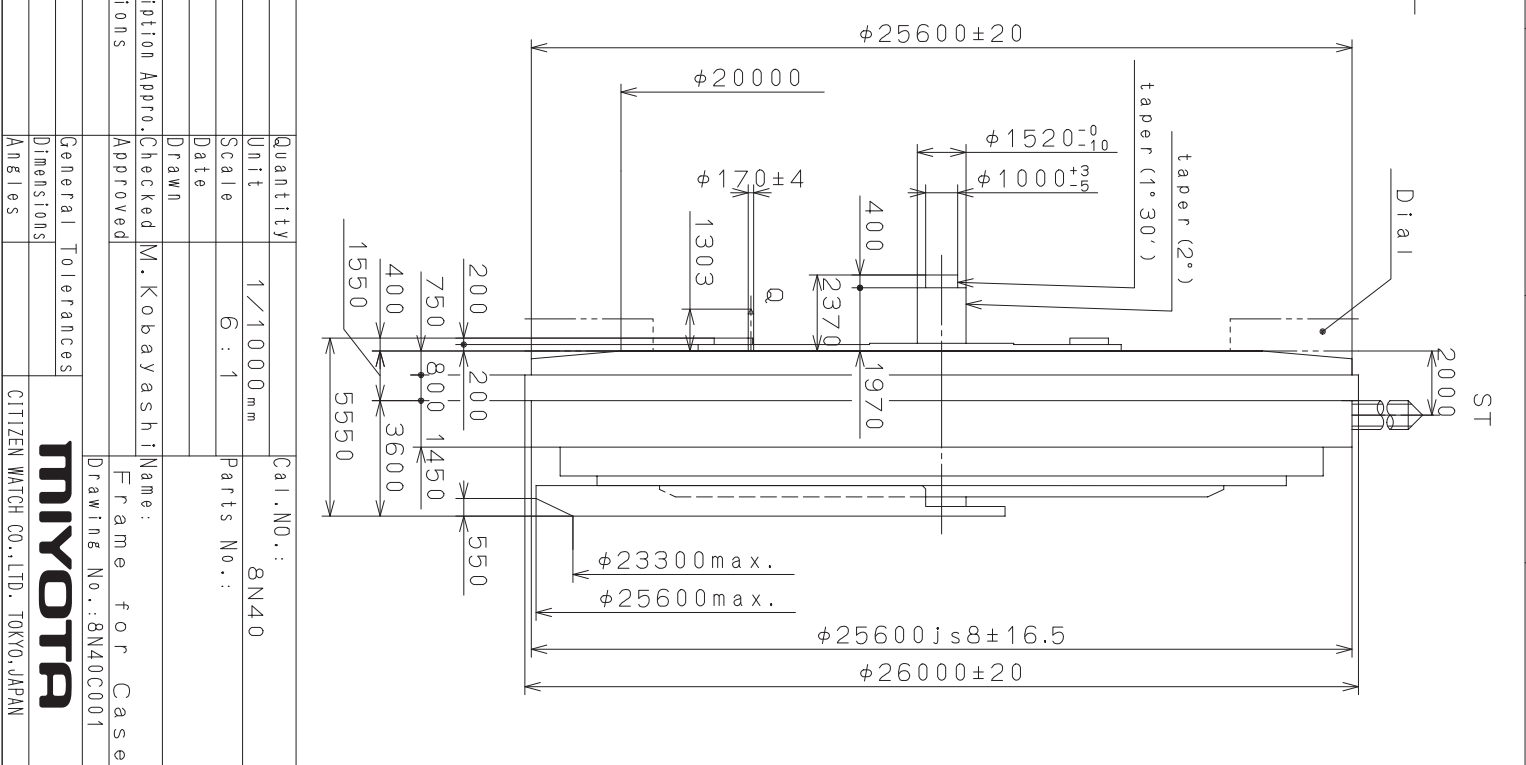
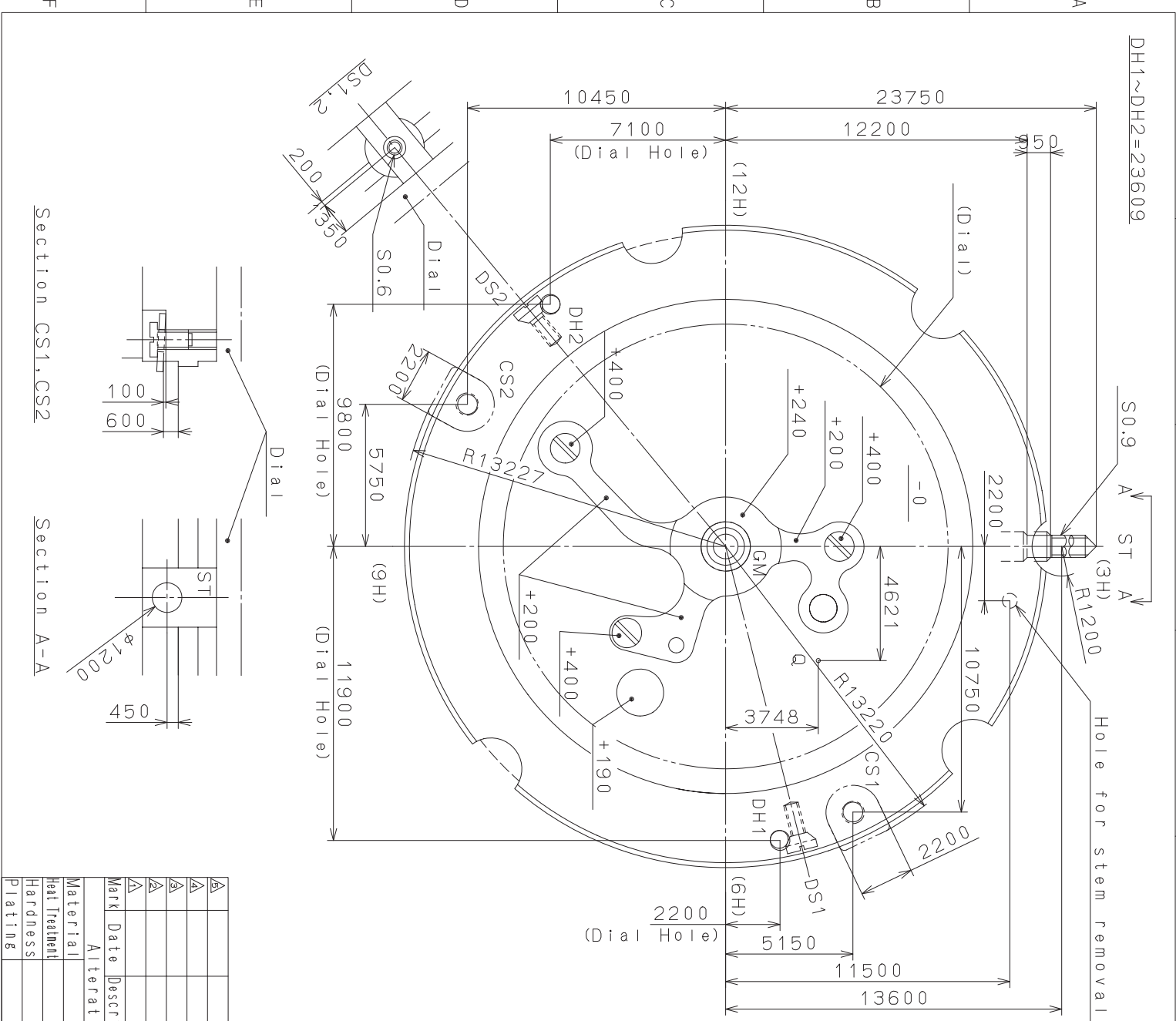
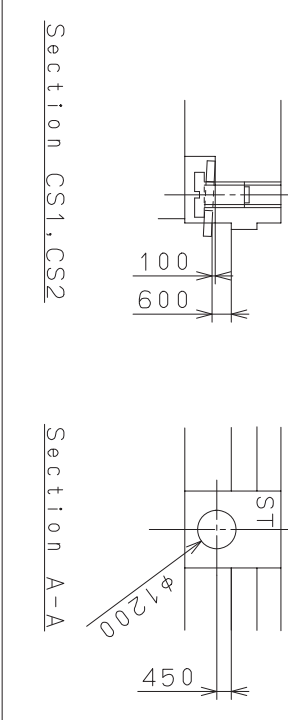


This drawing is provisional and subject to our reconfirmation and/or revision without notice.

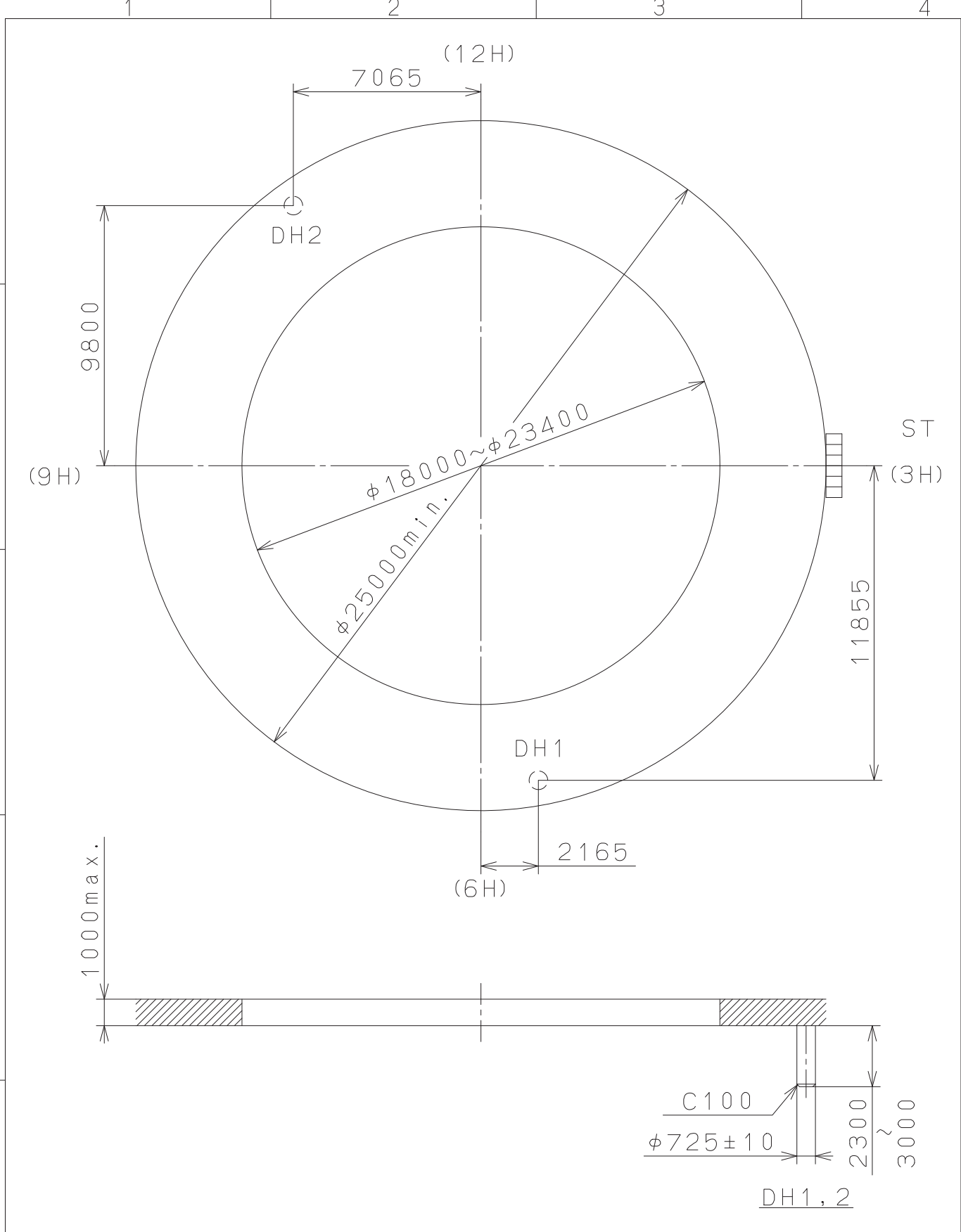


Material	Quantity	Unit	Cal. NO.:
Heat Treatment	1/1000	mm	8N40
Hardness	Scale	6 : 1	Parts No.:
Plating	Date	Drawn	
	Mark	Date	Checked
	Date	Description	Appr.
	Alterations	Approved	M. Kobayashi
			Name:
			Frame for Case
			Drawing No.: 8N40C001
			General Tolerances
			Dimensions
			Angles
			CITIZEN WATCH CO., LTD. TOKYO, JAPAN



**MIYOTA**

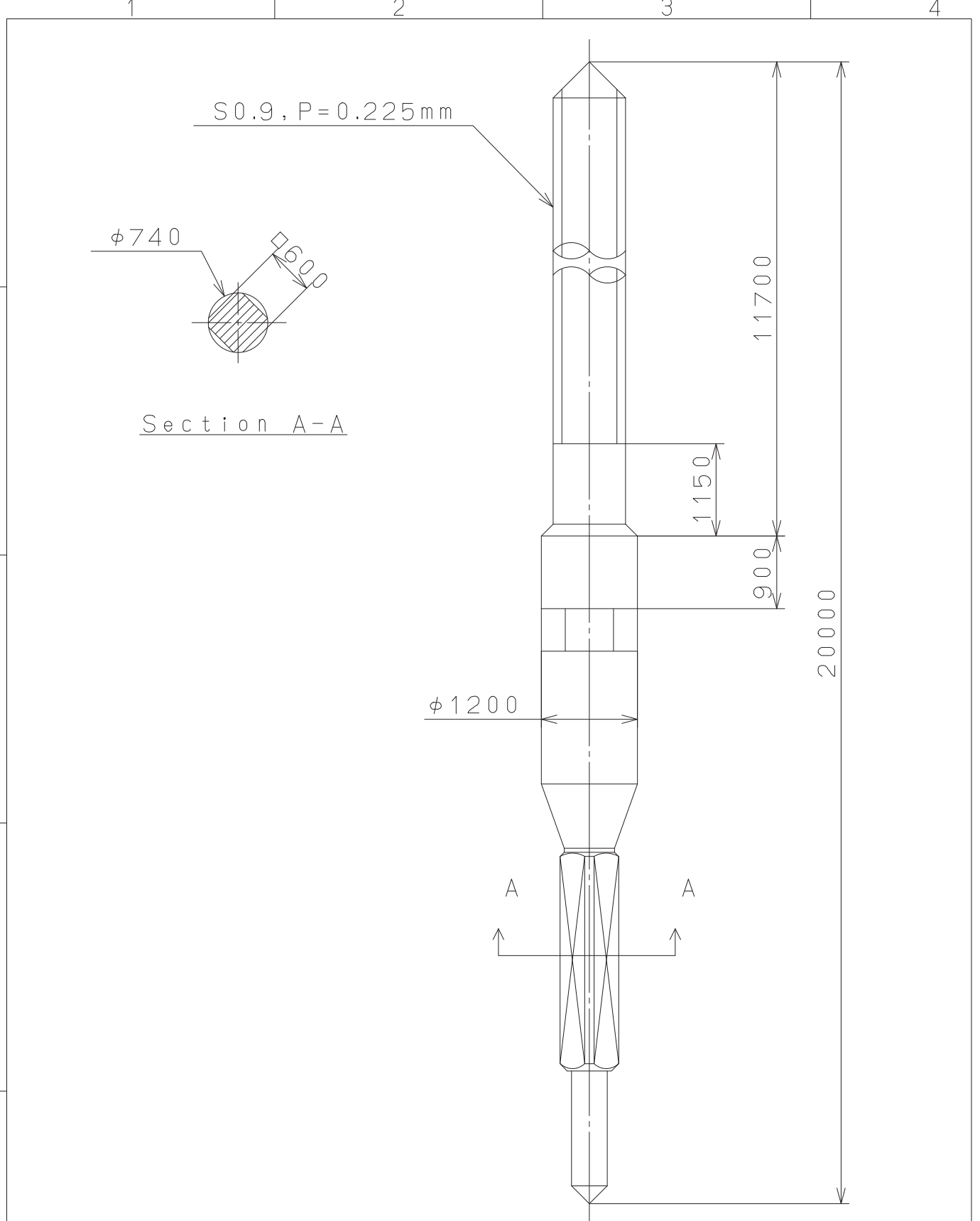
This drawing is provisional and subject to our reconfirmation and/or revision without notice.



⑤			Quantity		Cal.NO.: 8N40-E21	
④			Unit	1 / 1000 mm	8N40-D21	
③			Scale	5 : 1	Parts No.:	
②			Date			
①			Drawn			
Mark	Date	Description	Appr.	Checked	M. Kobayashi	Name:
Alterations			Approved			Indications for Dial
Material					Drawing No.: 8N40D000	
Heat Treatment					<b>MIYOTA</b> CITIZEN WATCH CO., LTD. TOKYO, JAPAN	
Hardness						
Plating						

2008/11/14 (11:30:42)

This drawing is provisional and subject to our reconfirmation and/or revision without notice.



⑤			Quantity		Cal.NO.:
④			Unit	1/1000mm	
③			Scale	15:1	Parts No.:
②			Date		065-212
①			Drawn		
Mark	Date	Description	Appr.	Checked	Name:
		Alterations	Approved	N. Suzuki	SETTING STEM
Material					Drawing No.: 2120S001
Heat Treatment			General Tolerances	<b>MIYOTA</b> CITIZEN WATCH CO., LTD. TOKYO, JAPAN	
Hardness			Dimensions		
Plating			Angles		