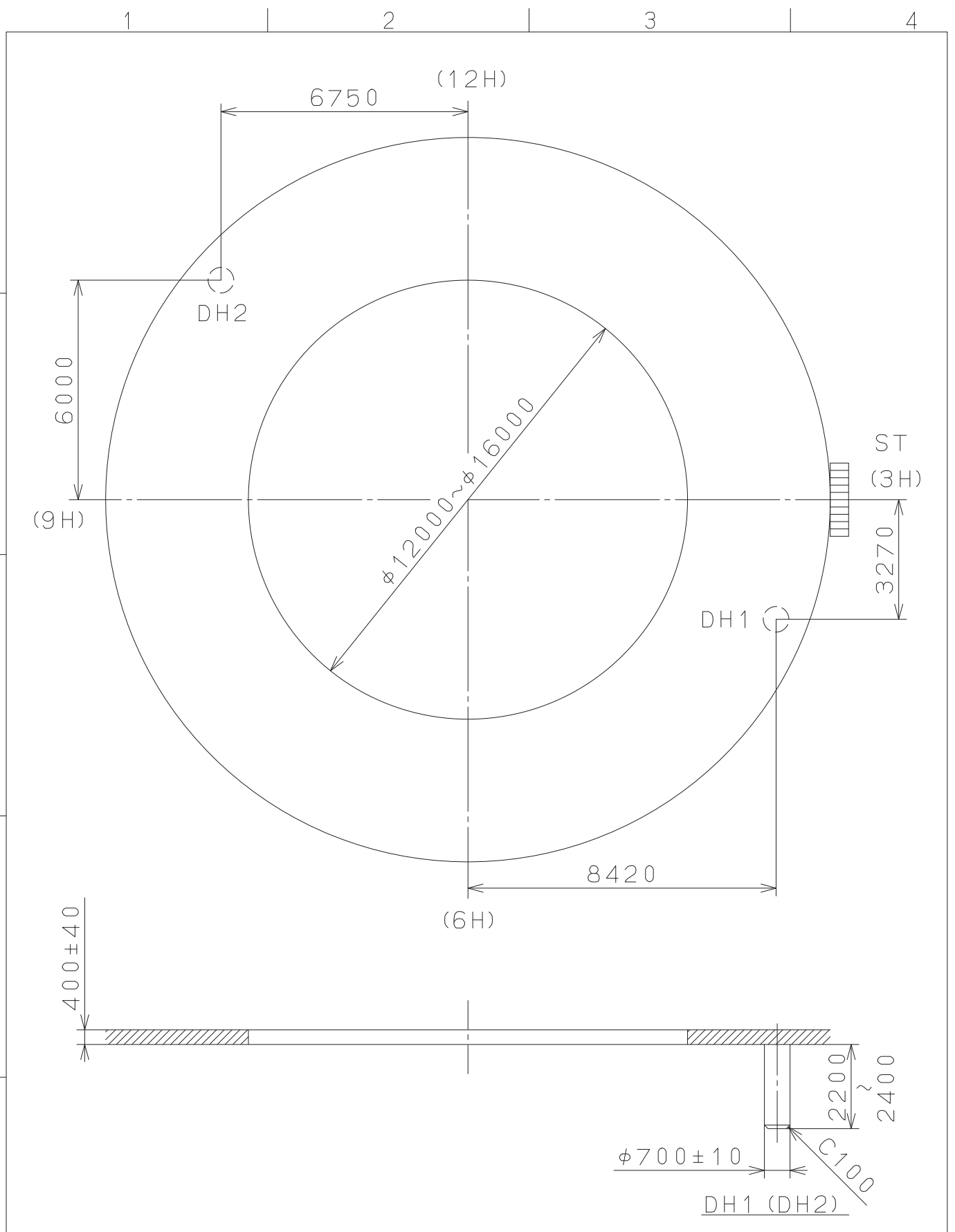


Quantity	Unit	Scale	Parts No.:	Cal. NO.:
1	1/1000 mm	8 : 1	6T33	
Material	Alterations	Mark Date	Description	Appr. Checked
Material	Alterations	Mark Date	Description	Appr. Checked
Heat Treatment	Alterations	Mark Date	Description	Appr. Checked
Hardness	Alterations	Mark Date	Description	Appr. Checked
Plating	Alterations	Mark Date	Description	Appr. Checked
General Tolerances	Dimensions	Angles		
Name:			Frame for Case	
Drawing No.:			6T33C003	
MIYOTA				
CITIZEN WATCH CO., LTD. TOKYO, JAPAN				

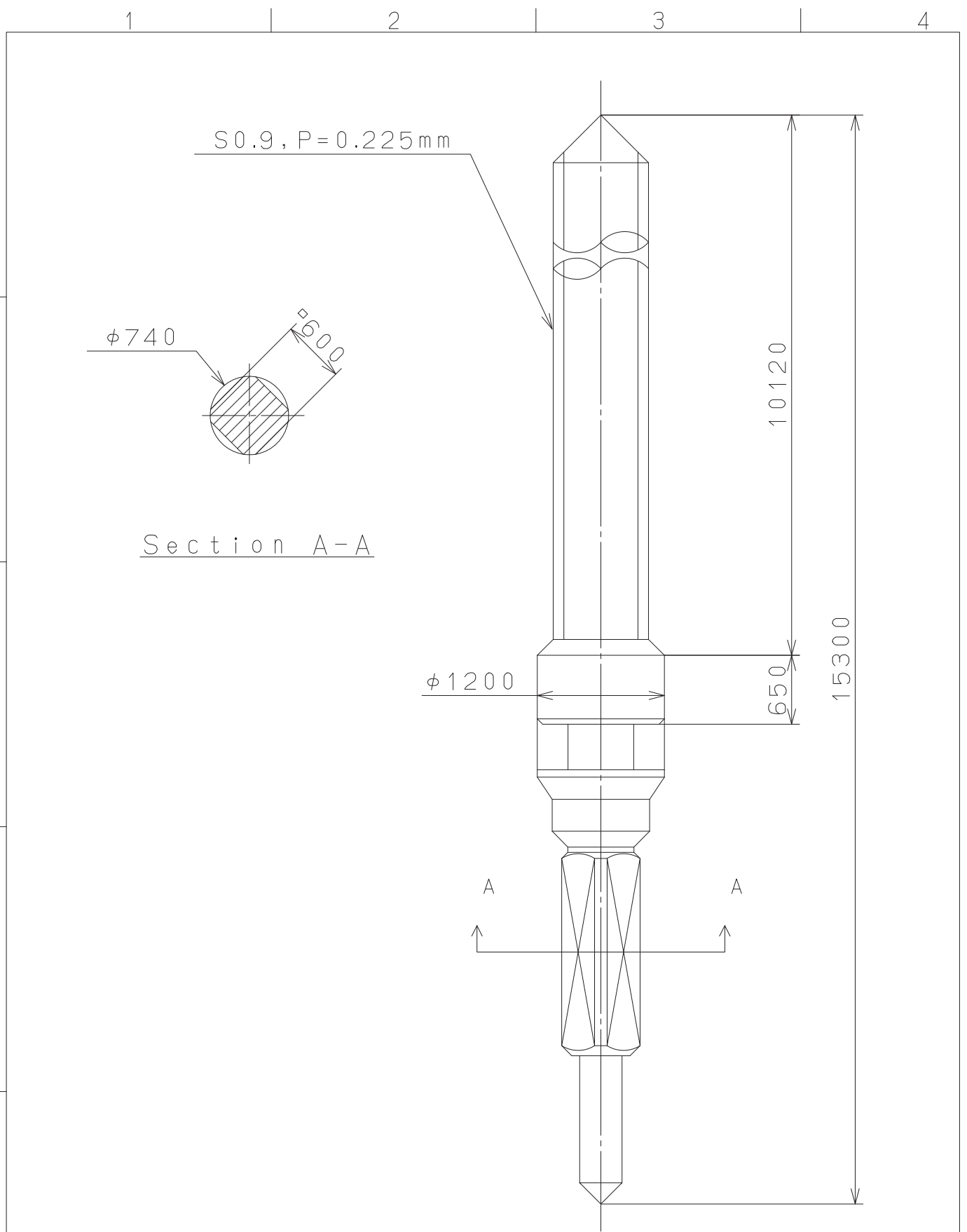
2009/01/26 (09:00:35)

This drawing is provisional and subject to our reconfirmation and/or revision without notice.



△			Quantity		Cal.NO.:
△			Unit	1 / 1000 mm	6T33-17A
△			Scale	7 : 1	Parts No.:
△			Date		
△			Drawn		
Mark	Date	Description	Appr.	Checked	Name:
		Alterations	Approved	N. Suzuki	Indications for Dial
Material					Drawing No.: 6T33D000
Heat Treatment			General Tolerances		MIYOTA CITIZEN WATCH CO., LTD. TOKYO, JAPAN
Hardness			Dimensions		
Plating			Angles		

This drawing is provisional and subject to our reconfirmation and/or revision without notice.



△5			Quantity		Cal.NO.:
△4			Unit	1 / 1000 mm	
△3			Scale	20 : 1	Parts No.:
△2			Date		065-117
△1			Drawn		
Mark	Date	Description	Appr.	Checked	Name:
		Alterations	Approved	T. Hiruta	SETTING STEM
Material					Drawing No.: 1170S000
Heat Treatment			General Tolerances	MIYOTA CITIZEN WATCH CO., LTD. TOKYO, JAPAN	
Hardness			Dimensions		
Plating			Angles		